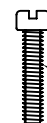
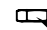


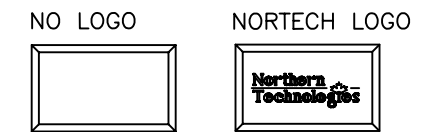


-  #4-40 X 7/16" FILLISTER HEAD MACHINE SCREW
MATERIAL - STEEL
FINISH - BRIGHT ZINC
QTY: 2 EACH
-  #4-40 #2 BLANK HEX NUT
MATERIAL - STEEL
FINISH - BRIGHT ZINC
QTY: 2 EACH
-  FILLISTER HEAD CAPTIVE SCREW
HEAD STYLE - SEE PAGE 2
MATERIAL - SEE PAGE 2
FINISH - SEE PAGE 2
QTY: 2 EACH
-  #4 SADDLE WASHER
MATERIAL - STEEL
FINISH - BRIGHT ZINC
QTY: 2 EACH



CONNECTOR COVER:
 1. MATERIAL: ZINC ALLOY
 2. FINISH: BRIGHT ZINC PLATING PER NTC SPECIFICATION N/T 000100
 3. DIMENSIONS: INCHES [MM]
 4. TOLERANCE: ±0.015 [0.381]

COMPRESSION INSERT TREE
 1. MATERIAL: THERMOPLASTIC
 2. COLOR: BLACK
 3. DUROMETER: 75 ±5 TYPE A PER ASTM D2240
 4. DIMENSIONS: INCHES [MM]
 5. TOLERANCE: ±0.020 [0.508]

REVISIONS				
ZONE	REV	DESCRIPTION	DATE	APPROVED
	A	ECN 0531	06-MAY-05	
	B	ECN 0600	10-AUG-06	
	C	ECN 0628	24-JAN-07	
	D	ECN 0643	24-JAN-08	
	E	ECN 0644	08-FEB-08	

THIS IS A CONTROLLED DOCUMENT AND IS SUBJECT TO CHANGE. CONTACT NORTHERN TECHNOLOGIES ENGINEERING FOR THE LATEST REVISION.

UNLESS OTHERWISE SPECIFIED 1. ALL DIMENSIONS ARE IN INCHES (MM) 2. DIMENSIONS ARE TYPICAL		Northern Technologies <small>THIS DRAWING IS THE PROPERTY OF NORTHERN TECHNOLOGIES AND SHOULD NOT BE REPRODUCED WITHOUT NORTHERN TECHNOLOGIES WRITTEN PERMISSION.</small>		
DRAWN JSD		PART NUMBER SEE PART NUMBER INFORMATION		
CHECKED SCN		DESCRIPTION CM 25 METAL COVER		
ISSUED 20-MAR-05		SIZE B	CODE 200_103	DWG NO. 0002-200-103
		SCALE NTS	REV SHEET 1 OF 2	

PART NUMBER INFORMATION

PART#	WITH #4-40 X 1/2" CAPTIVE SCREWS (SLOT HEAD)	SUPPLIED
A29E821255	NO LOGO COVER TOP	BULK
A29E921250	NORTECH LOGO COVER TOP	BULK
A30E120100	COVER BOTTOM	BULK
C88E000204	NO LOGO	PACKAGED
C88E000203	NORTECH LOGO	PACKAGED

PART#	WITH #4-40 X 7/16" CAPTIVE SCREWS (SLOT HEAD)	SUPPLIED
A29E8212551	NO LOGO COVER TOP	BULK
A29E9212501	NORTECH LOGO COVER TOP	BULK
A30E120100	COVER BOTTOM	BULK
C88E0002041	NO LOGO	PACKAGED
C88E0002031	NORTECH LOGO	PACKAGED

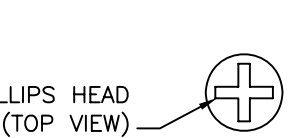
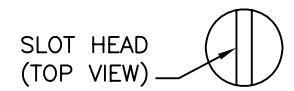
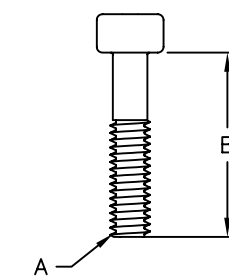
PART#	WITH M2.5 X 12.7MM CAPTIVE SCREWS (SLOT HEAD)	SUPPLIED
A29E821255M25S	NO LOGO COVER TOP	BULK
A29E921250M25S	NORTECH LOGO COVER TOP	BULK
A30E120100	COVER BOTTOM	BULK
C88E000204M25S	NO LOGO	PACKAGED
C88E000203M25S	NORTECH LOGO	PACKAGED

PART#	WITH M2.6 X 12.7MM CAPTIVE SCREWS (SLOT HEAD)	SUPPLIED
A29E821255M26S	NO LOGO COVER TOP	BULK
A29E921250M26S	NORTECH LOGO COVER TOP	BULK
A30E120100	COVER BOTTOM	BULK
C88E000204M26S	NO LOGO	PACKAGED
C88E000203M26S	NORTECH LOGO	PACKAGED

PART#	WITH M3 X 12.7MM CAPTIVE SCREWS (SLOT HEAD)	SUPPLIED
A29E821255M3S	NO LOGO COVER TOP	BULK
A29E921250M3S	NORTECH LOGO COVER TOP	BULK
A30E120100	COVER BOTTOM	BULK
C88E000204M3S	NO LOGO	PACKAGED
C88E000203M3S	NORTECH LOGO	PACKAGED

PART#	WITH #4-40 X 1/2" CAPTIVE SCREWS (PHILLIPS HEAD)	SUPPLIED
A29E821255PS	NO LOGO COVER TOP	BULK
A29E921250PS	NORTECH LOGO COVER TOP	BULK
A30E120100	COVER BOTTOM	BULK
C88E000204PS	NO LOGO	PACKAGED
C88E000203PS	NORTECH LOGO	PACKAGED

FILLISTER HEAD CAPTIVE SCREW



THREAD (A)	LENGTH (B)	HEAD STYLE	MATERIAL	PLATING
#4-40 UNC	1/2 INCH	SLOT	COLD ROLL STEEL	ZINC
#4-40 UNC	7/16 INCH	SLOT	COLD ROLL STEEL	ZINC
M2.5 X .45MM	12.7 MM	SLOT	LOW CARBON STEEL	ZINC
M2.6 X .45MM	12.7 MM	SLOT	LOW CARBON STEEL	ZINC
M3 X .5MM	12.7 MM	SLOT	LOW CARBON STEEL	ZINC
#4-40 UNC	1/2 INCH	PHILLIPS	LOW CARBON STEEL	ZINC

REVISIONS				
ZONE	REV	DESCRIPTION	DATE	APPROVED

THIS IS A CONTROLLED DOCUMENT AND IS SUBJECT TO CHANGE. CONTACT NORTHERN TECHNOLOGIES ENGINEERING FOR THE LATEST REVISION.

UNLESS OTHERWISE SPECIFIED 1. ALL DIMENSIONS ARE IN INCHES [MM] 2. DIMENSIONS ARE TYPICAL		Northern Technologies <small>THIS DRAWING IS THE PROPERTY OF NORTHERN TECHNOLOGIES AND SHOULD NOT BE REPRODUCED WITHOUT NORTHERN TECHNOLOGIES WRITTEN PERMISSION.</small>		
DRAWN JSD		PART NUMBER SEE PART NUMBER INFORMATION		
CHECKED SCN		DESCRIPTION CM 25 METAL COVER		
ISSUED		SIZE B	CODE 200_103	DWG NO. 0002-200-103
20-MAR-05		SCALE NTS	REV SHEET 2 OF 2	